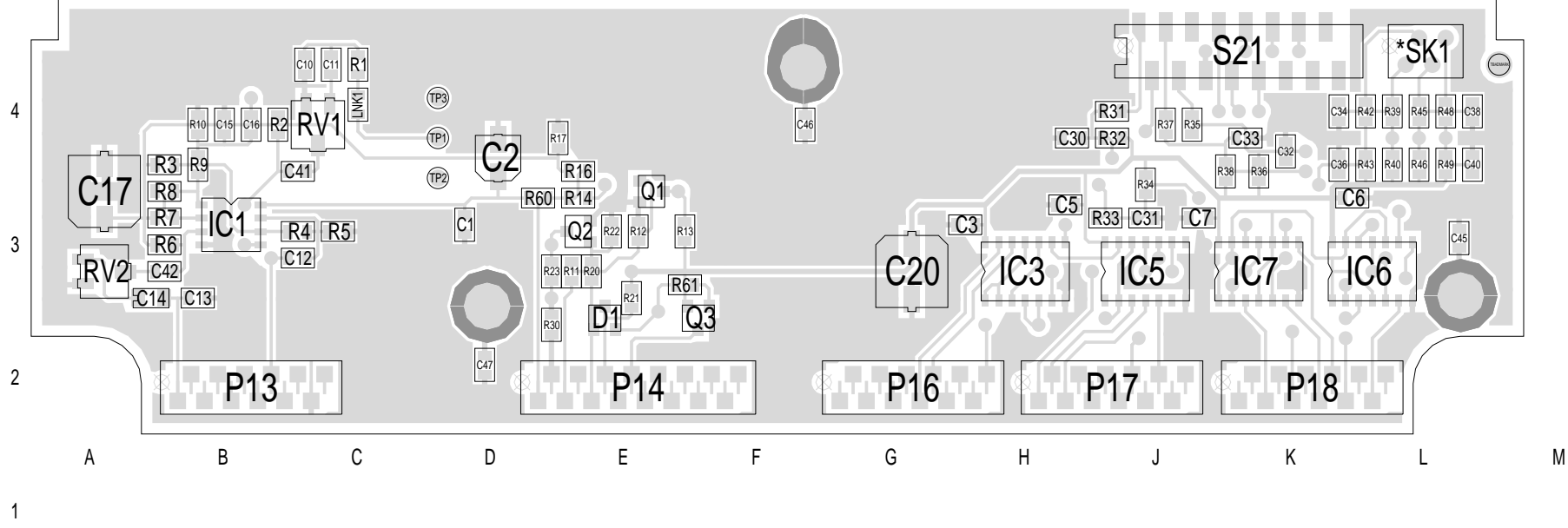


5A	ECO 770166 & 770171.	M.HALL				
4B	ECO 770070 R30 TO 3R3.	T.M.B.	M.HALL	M.HALL	P.J.	15/06/99
4A	ECO 770036 & 50 UPDATED TO SMD.	T.M.B.	M.HALL	M.HALL	I.MCKEE	23/07/98
3A	CHANGED C14 TO 470NYP.	M.HALL	P.V.D.M.	D.ELDER	S.CRAGG	07/08/95
2B	CHANGED 4K7 POTS TO DUAL ADJUSTING.	M.HALL	P.V.D.M.	D.ELDER	S.CRAGG	20/03/95
2A	CHANGED C17 & C20 TO LOW PROFILE.	M.HALL	P.V.D.M.	D.ELDER	S.CRAGG	17/01/95
1A	ADDED R61 AND Q3 TO DESIGN.	M.HALL	P.V.D.M.	D.ELDER	S.CRAGG	14/12/94
REV/ISS	AMENDMENTS	DRAWN	CHKD	D.O.	APVD	DATE

*OPTION	*SK1
FITTED	SK4M
NOT-FITTED	-

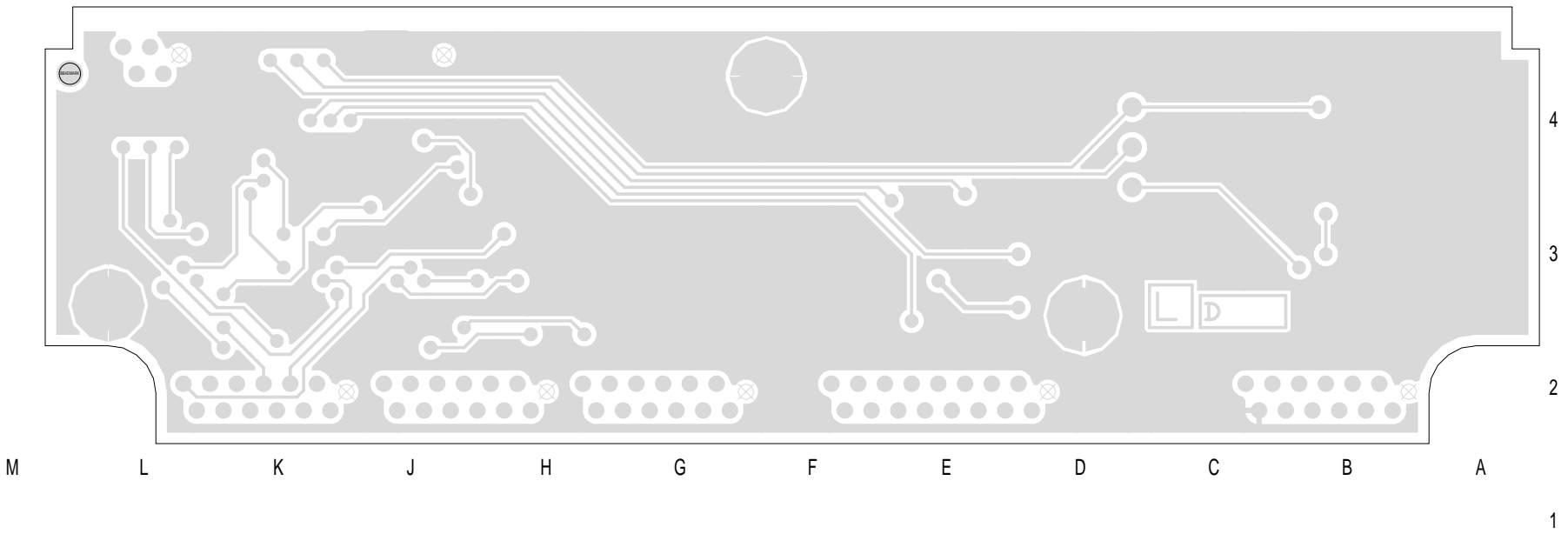
\*SK1  
2X2 WAY TOP ENTRY SKT

© TAIT ELECTRONICS  
 TA419-01  
 T2020 RACV AUXILIARY INTERFACE  
 IPN: 227-41901-05 ISSUE: A ID: 2.S.C. 1  
 PROJECT: TA419 DESIGNER: P.V.D.M. FILE NAME: a041915a FILE DATE: 1-Sep-99 NO.SHEETS: 1



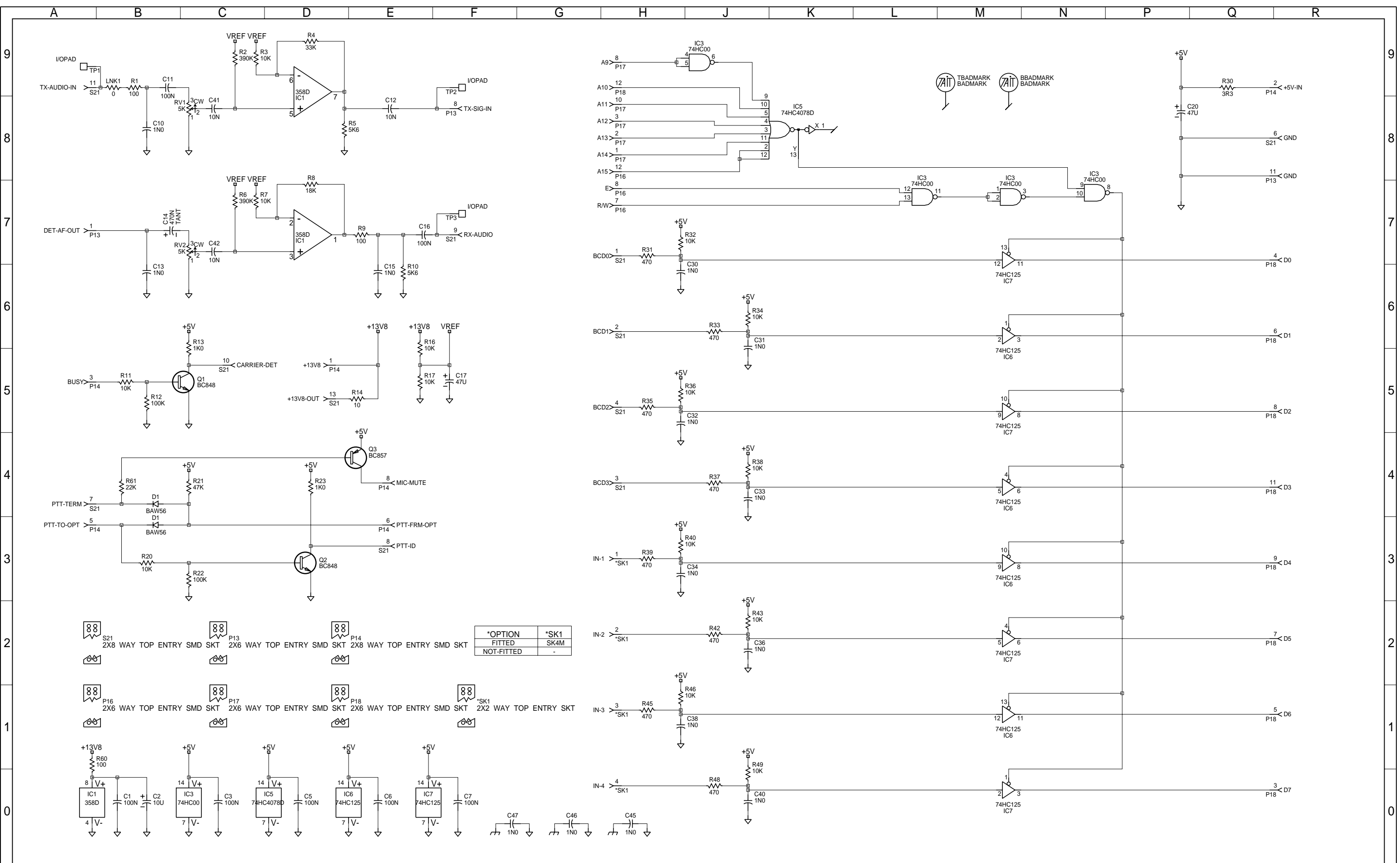
TAIT ELECTRONICS	IPN:	ISS:	ID:	DATE:
	227-41901-05	A	1.TA	1 Sep 1999
TA419-01 PCB LAYOUT - TOP SIDE				

Scale: 1.6:1 ; Rotation: 270 degrees



TAIT ELECTRONICS	IPN:	ISS:	DATE:
	227-41901-05	A	1 Sep 1999
TA419-01 PCB LAYOUT - BOTTOM SIDE			

Scale: 1.0:1 : Rotation: 90 degrees



*OPTION	*SK1
FITTED	SK4M
NOT-FITTED	-

4B	ECO 770070 R30 TO 3R3.	T.M.B.			
4A	ECO 770036 & 50 UPDATED TO SMD.	T.M.B.	M.HALL	M.HALL	I.MCKEE
3A	CHANGED C14 TO 470NYP.	M.HALL	P.V.D.M.	D.ELDER	S.CRAGG
2B	CHANGED 4K7 POTS TO DUAL ADJUSTING.	M.HALL	P.V.D.M.	D.ELDER	S.CRAGG
2A	CHANGED C17 & C20 TO LOW PROFILE.	M.HALL	P.V.D.M.	D.ELDER	S.CRAGG
1A	ADDED R61 AND Q3 TO DESIGN.	M.HALL	P.V.D.M.	D.ELDER	S.CRAGG
0A	CHANGED S21 TO A MICROMATCH SOCKET.	M.HALL	P.V.D.M.	D.ELDER	S.CRAGG
REV/ISS	AMENDMENTS	DRAWN	CHKD	D.O.	APVD
					DATE

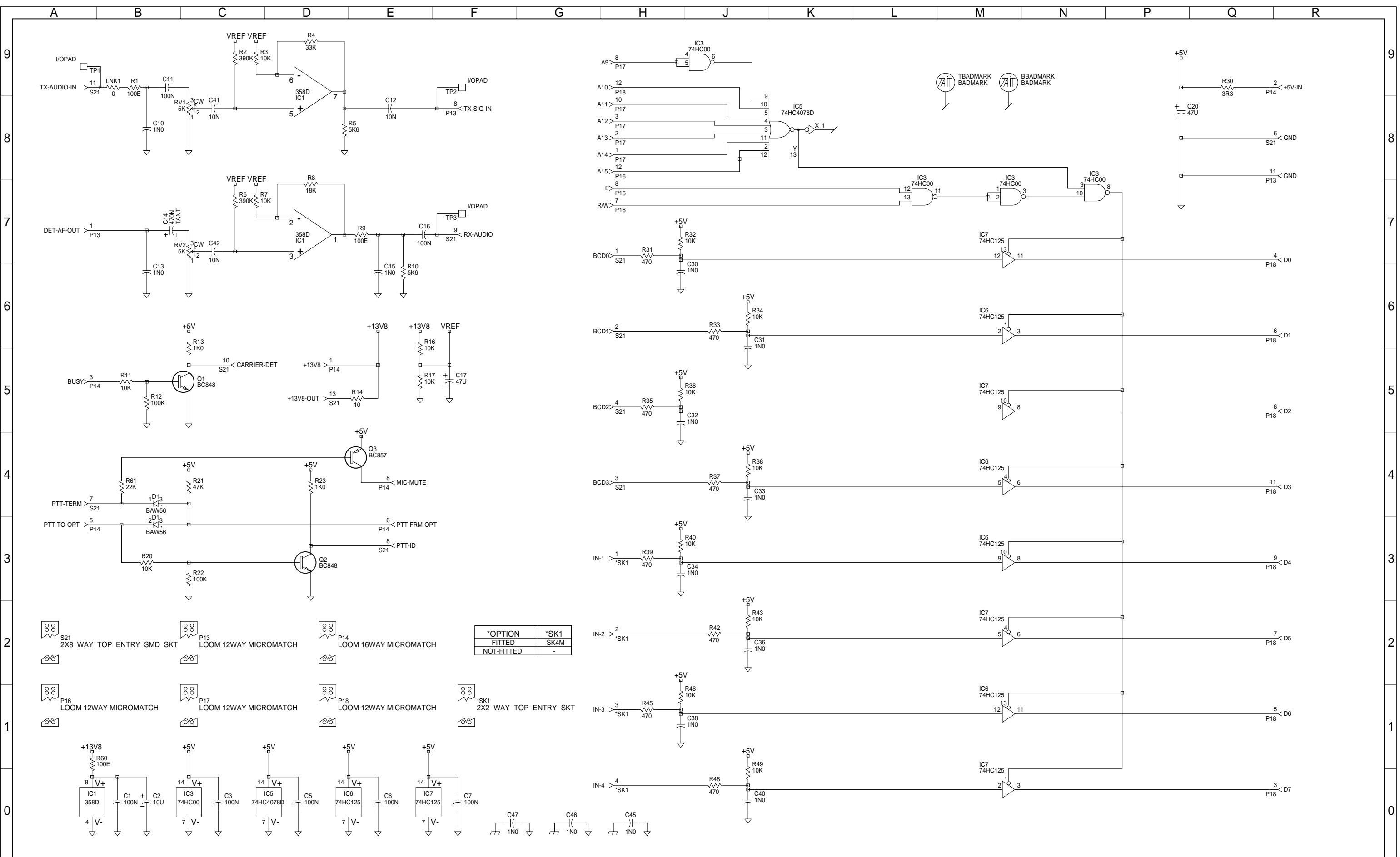
<b>TAIT ELECTRONICS</b>					
TA419-01					
T200 RACV AUXILIARY INTERFACE					
IPN:	B	ISSUE:	B	ID:	2.S.C. 1
PROJECT:	227-41901-04	DESIGNER:	P.V.D.M.	FILE NAME:	A041914B
TA419		FILE DATE:	23/07/98	NO.SHEETS:	2

## MECHANICAL COMPONENT LIST.

QTY:	0.13	IPN:	205-00010-12	CABLE FLAT RIBBON 16 CORE GREY	(MECH PART)
QTY:	8	IPN:	240-00020-51	PLUG 12 WAY 2X6 MICROMATCH	(PURE MECH PART)
QTY:	4	IPN:	240-00020-54	PLUG 16 WAY 2X8 MICROMATCH	(MECH PART)
QTY:	1	IPN:	240-02010-68	SOCKET DRANGE 15WAY FLAT CABLE	(PURE MECH PART)
QTY:	1	IPN:	316-87069-00	PILLAR M3 HEX 15MM TAPPED	(MECH PART)
QTY:	5	IPN:	349-00020-32	SCREW TAPTITE M3*8MM PAN POZI ST BZ	(MECH PART)
QTY:	1	IPN:	365-01482-00	LABEL BLANK 20X67MM BRIGHT ORANGE	(MECH PART)
QTY:	0.11	IPN:	369-00020-36	TAPE VINYL FOAM 2 SIDED S/A 9*10MM	(MECH PART)
QTY:	1	IPN:	399-00010-51	BAG PLASTIC 75*100MM	(MECH PART)
QTY:	1	IPN:	399-00010-88	BAG STATIC SHIELDING 152*254MM	(MECH PART)
QTY:	1	IPN:	410-01064-01	PACKAGE HEADER CARD A3M2392	(MECH PART)

© TAIT ELECTRONICS				
TA419-01				
T2020 RACV AUXILIARY INTERFACE				
IPN: 227-41901-04		ISSUE: B		ID: 2.SC. 2
PROJECT: TA419	DESIGNER: P.V.D.M.	FILE NAME: A041914B	FILE DATE: 23/07/98	NO.SHEETS: 2

REV/ISS	AMENDMENTS	DRAWN	CHKD	D.O.	APVD	DATE
A	B	C	D	E	F	G

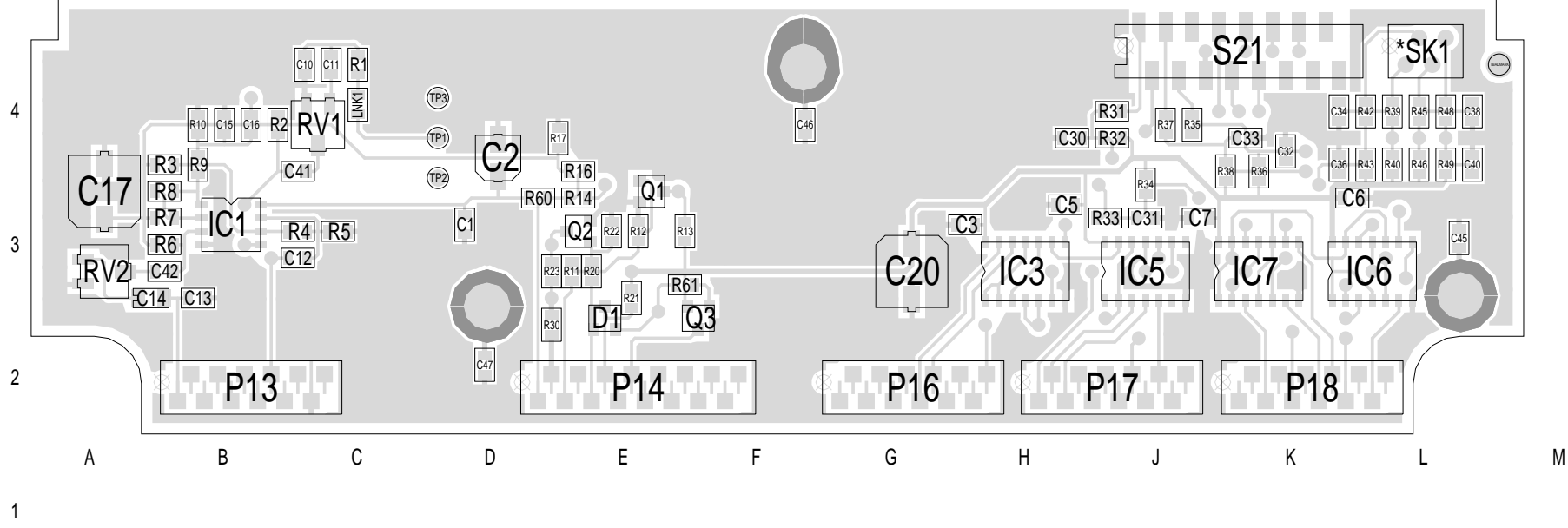


5A	ECO 770166 & 770171.	M.HALL				
4B	ECO 770070 R30 TO 3R3.	T.M.B.	M.HALL	M.HALL	P.J.	15/06/99
4A	ECO 770036 & 50 UPDATED TO SMD.	T.M.B.	M.HALL	M.HALL	I.MCKEE	23/07/98
3A	CHANGED C14 TO 470NYP.	M.HALL	P.V.D.M.	D.ELDER	S.CRAGG	07/08/95
2B	CHANGED 4K7 POTS TO DUAL ADJUSTING.	M.HALL	P.V.D.M.	D.ELDER	S.CRAGG	20/03/95
2A	CHANGED C17 & C20 TO LOW PROFILE.	M.HALL	P.V.D.M.	D.ELDER	S.CRAGG	17/01/95
1A	ADDED R61 AND Q3 TO DESIGN.	M.HALL	P.V.D.M.	D.ELDER	S.CRAGG	14/12/94
REV/ISS	AMENDMENTS	DRAWN	CHKD	D.O.	APVD	DATE

*OPTION	*SK1
FITTED	SK4M
NOT-FITTED	-

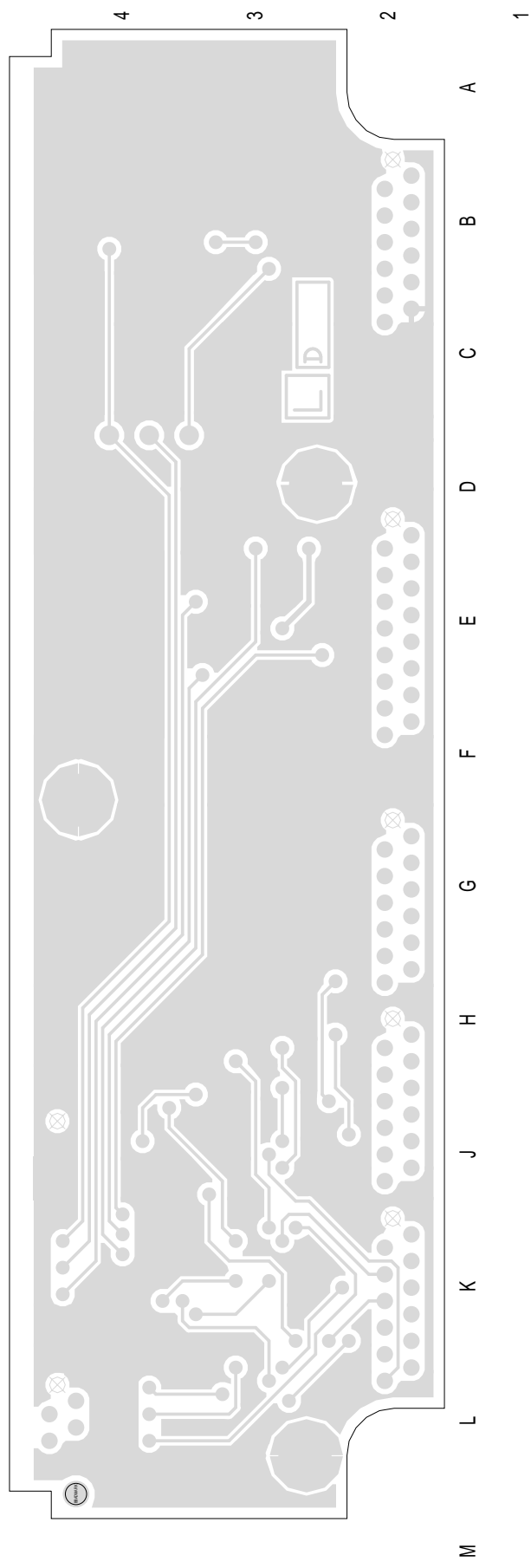
\*SK1  
2X2 WAY TOP ENTRY SKT

© TAIT ELECTRONICS  
 TA419-01  
 T2020 RACV AUXILIARY INTERFACE  
 IPN: 227-41901-05 ISSUE: A ID: 2.S.C. 1  
 PROJECT: TA419 DESIGNER: P.V.D.M. FILE NAME: a041915a FILE DATE: 1-Sep-99 NO.SHEETS: 1



TAIT ELECTRONICS IPN: 227-41901-05 ISS: A ID: 1.TA DATE: 1 Sep 1999  
 TA419-01 PCB LAYOUT - TOP SIDE

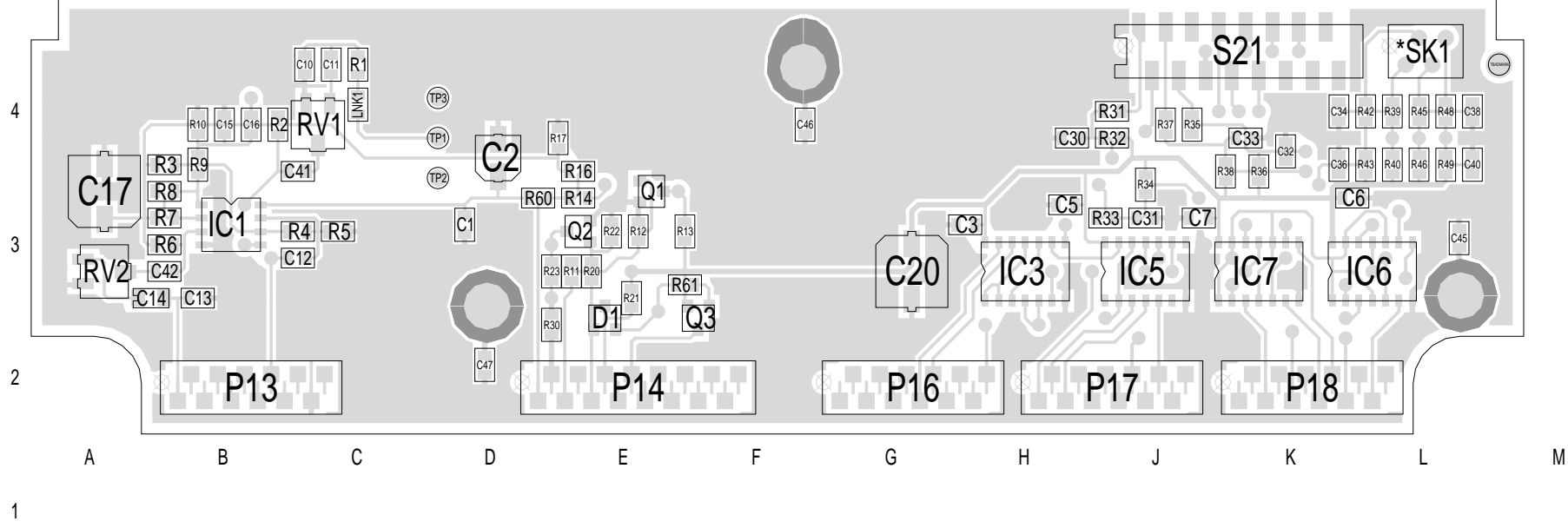
Scale: 1.6:1 ; Rotation: 270 degrees



<b>TAIT ELECTRONICS</b>	IPN:	ISS:	ID:	DATE:
	227-41901-05	A	2.BA	1 Sep 1999
<b>TA419-01 PCB LAYOUT - BOTTOM SIDE</b>				

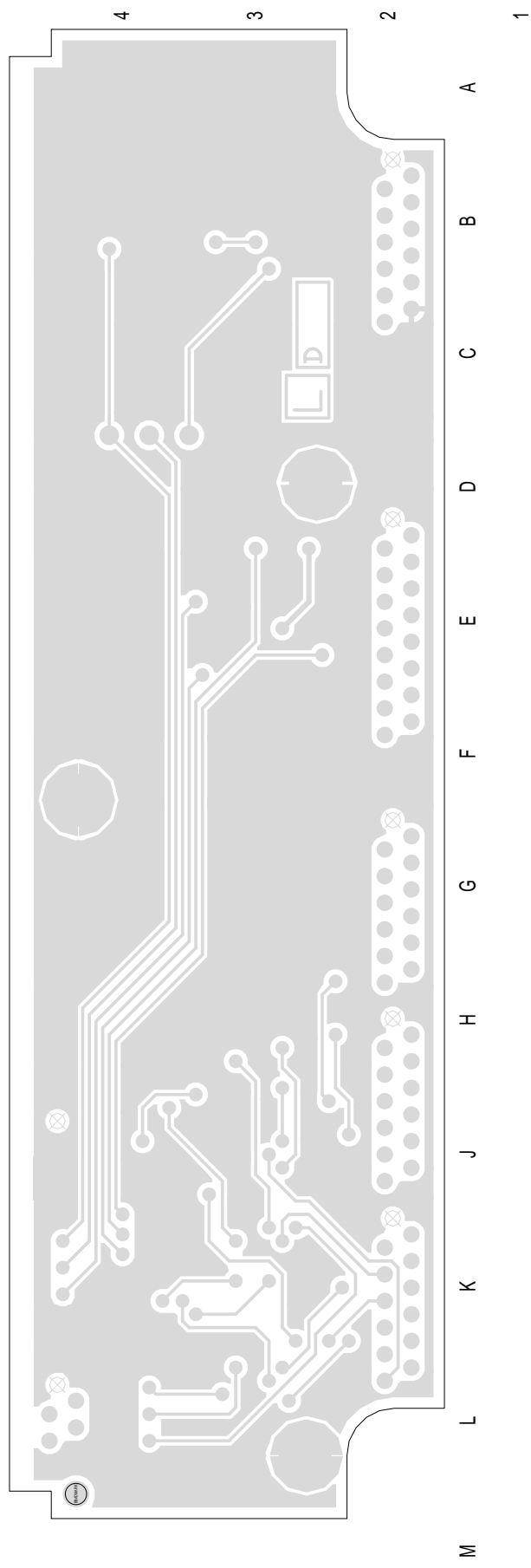
Scale: 1.6:1 ; Rotation: 90 degrees





TAIT ELECTRONICS	IPN:	ISS:	ID:	DATE:
	227-41901-05	A	1.TA	1 Sep 1999
TA419-01 PCB LAYOUT - TOP SIDE				

Scale: 1.6:1 ; Rotation: 270 degrees



<b>TAIT ELECTRONICS</b>	IPN:	ISS:	ID:	DATE:
	227-41901-05	A	2.BA	1 Sep 1999
<b>TA419-01 PCB LAYOUT - BOTTOM SIDE</b>				

Scale: 1.6:1 ; Rotation: 90 degrees